



Job Name: _____

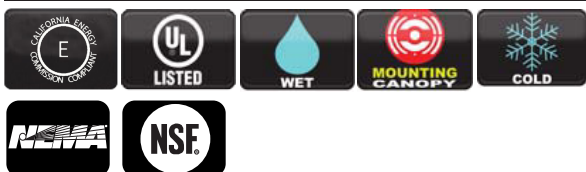
Type: _____

Part #: _____

Notes: _____

LSINDWLEZU NEMA4X/NSF Exit Sign

STANDARD



OPTIONAL



ILLUMINATION

- Ultra bright, energy efficient, long life Red or Green LEDs.

ELECTRICAL

- Dual 120/277 voltage.
- Unique bi-color LED indicator light alerts occupant on battery condition (Green-normal, Red-check-battery).
- Charge rate/power "ON" LED indicator light and magnetic test switch for mandated code compliance testing.
- 4.8V long-life, maintenance-free, rechargeable NiCd battery (EM models only).
- Internal solid-state transfer switch automatically connects the internal battery to LED board for minimum 90-minute emergency illumination.
- Fully automatic solid-state, two-rate charger initiates battery charging to recharge a discharged battery in 24 hours.

MOUNTING

- Universal knockout pattern on back provided with gasket for watertight seal for back mount.
- Polycarbonate mounting canopy included for top or end mount.

HOUSING

- Housing is reinforced polycarbonate construction in white or black finish.
- Corrosion-resistant enclosure with one piece, high-impact resistant, UV stabilized polycarbonate lens and molded gasket with stainless steel screws.
- Knockout's provided for conduit feed applications.
- EZ snap-out Chevron directional indicators.

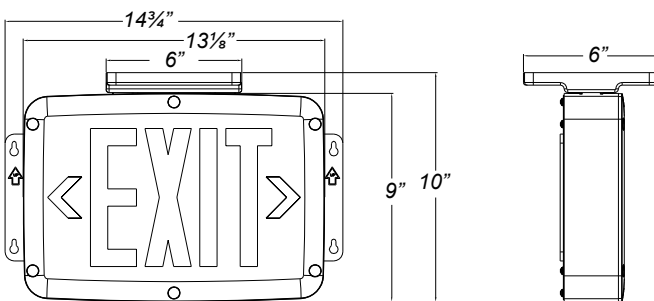
OPTIONS

- SDT: Self-diagnostic feature performs monthly, biannual, and annual tests to ensure reliable operation and meet electrical and life safety codes.
- 2C-120V/2C-277V: Voltage-specific dual circuit option on the AC-only unit enables it to be connected to two different supplies at the same time.
- TP: Tamper-proof hardware helps discourage unauthorized access to the unit.

WARRANTY / LISTING

- Five year warranty on all electronics and housing. Batteries pro-rated for five years.
- Meets UL924, NFPA101 Life Safety Code, NEC, OSHA, Local and State Codes.
- IP66 rated for Ingress protection.
- NEMA4X and NSF rated.
- Certified to CEC under Title 20 Regulations.
- UL certified for use in food service operations.
- UL listed for wet locations (-20°C – 50°C).

DIMENSIONS



ORDERING INFORMATION

Sample Part Number: **LSINDWLEZU1RBEM-SDT**

| MODEL | No. of FACES | LETTER COLOR | HOUSING COLOR | BATTERY | OPTIONS |
|------------|--------------|--------------|---------------|-----------------|--|
| LSINDWLEZU | 1 | Single | R Red | (blank) AC-Only | SDT Self-Diagnostics ¹ |
| | 2 | Double | G Green | EM NiCd Battery | 2C-120 Dual Circuit With 120V Input ² |
| | | | | | 2C-277 Dual Circuit With 277V Input ² |
| | | | | | TP Tamper-Proof |

¹ Available in EM units only.

² Available in AC units only.