



Job Name: _____

Type: _____

Part #: _____

Notes: _____

LSM3

MR-16 THERMOPLASTIC EMERGENCY UNIT

STANDARD

OPTIONAL



ILLUMINATION

- Two fully adjustable, 5.0 watt, MR-16 halogen lamp heads standard.
- High performance MR16 halogen lamps with smooth metallized reflector and glass lens for optimal light distribution.

ELECTRICAL

- Dual 120/277 voltage.
- Charge rate/power "ON" LED indicator light and push-to-test switch for mandated code compliance testing.
- LVD (low voltage disconnect) prevents battery from deep discharge.
- 6V maintenance-free, rechargeable sealed lead acid battery.
- Internal solid-state transfer switch automatically connects the internal battery to lamp heads for minimum 90-minute emergency illumination.
- Fully automatic solid-state, two rate charger initiates battery charging to recharge a discharged battery in 24 hours.

MOUNTING

- Universal knockout pattern on back plate for wall mount. Snaps into place making internal electrical connections.
- Knockout for conduit applications.

HOUSING

- Injection-molded, engineering grade, 5VA flame retardant, high-impact resistant, thermoplastic in white or black finish.



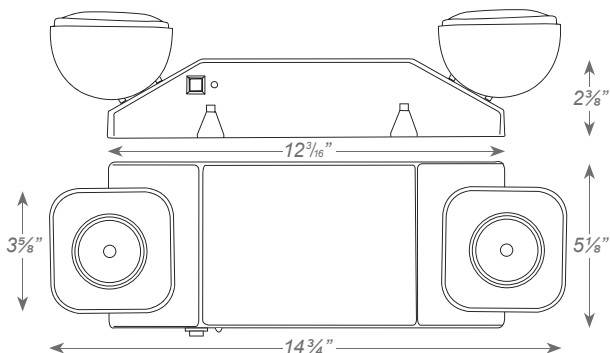
OPTIONS

- *SDT*: Self-diagnostic feature performs monthly, biannual, and annual tests to ensure reliable operation and meets electrical and life safety codes.
- *HTR*: Optional internal heater for cold temperature (-9°C – 50°C) applications.
- *USA*: Substantial transformation assembly in the U.S. complies with "Assembled in the USA" under the Buy American Act.
- *LED*: 3.3W high performance MR-16 base LED lamps for increased center-to-center spacing.
- *PLED*: 5.0W high performance MR-16 base LED lamps for premium center-to-center spacing

WARRANTY / LISTING

- Five year warranty on all electronics and housing. Battery prorated for two years.
- Meets UL924, NFPA 101 Life Safety Code, NEC, OSHA, Local and State Codes.
- UL Listed for damp locations (20°C – 40°C).

DIMENSIONS



ORDERING INFORMATION

Sample Part Number: **LSM3**

MODEL	HOUSING COLOR	OPTIONS
LSM3	(blank) White	<i>SDT</i> Self-Diagnostics
	B Black	<i>HTR</i> Internal Heater
		<i>USA</i> Assembled In USA
		<i>LED</i> 3.3W High Lumen White LED Lamps ¹
		<i>PLED</i> 5.0W High Lumen White LED Lamps ¹

Special voltage options available. Check with your Best Lighting representative.

¹ Not available with SDT option.