

Job Name: _____

Type: _____

Part #: _____

Notes: _____

RHLED

LED Indoor Thermoplastic Remote Head

ILLUMINATION

- Long lasting, efficient, ultra bright white LED lamp heads.
- 1.0 watt (8 LEDs x 0.125 watt) per head.
- High performance chrome-plated metalized reflector and plastic lens for optimal light distribution.
- Adjustable LED lamp heads provide optimal center-to-center spacing.
- Optional high lumen heads are 1.5 watts (12 LEDs x 0.125 watt per head) and provide increased center-to-center spacing.

ELECTRICAL

- Powered from low voltage power source with low voltage wiring (not provided).

MOUNTING

- Universal mounting adapter plate included. Mounts to single-gang switch box.
- Distance of maximum run is determined by system voltage, wire gauge and total maximum wattage on the run.
- Suitable for wall or ceiling mount.

HOUSING

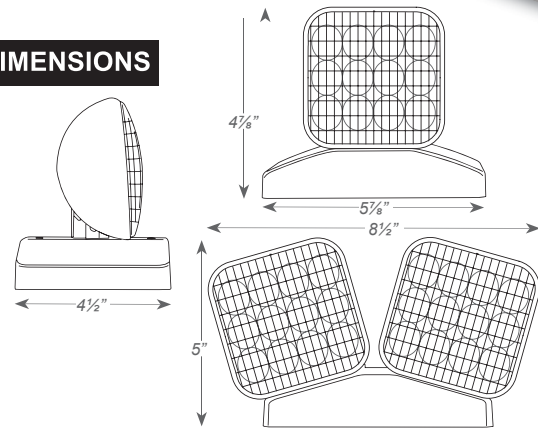
- Injection-molded, engineering grade, 5VA flame retardant, high-impact resistant, thermoplastic in white or black finish.

WARRANTY / LISTING

- Five year warranty.
- UL Listed with approved Best Lighting Products.
- Meets UL924, NFPA 101 Life Safety Code, NEC, OSHA, Local and State Codes.



DIMENSIONS



:-LHIF9'7CAD5H-6-@-HM'7 <5FH

Reference individual unit equipment specification sheets for remote load capacity availability.

| BEST LIGHTING MODEL TYPE | | |
|--------------------------|---------------|--------------|
| EZXTEU-RC* | LEDCXTEU-RC | CXTEU-RC* |
| CLPU | CEU-RC | CKXTEU-RC |
| LEDR5HO | R-5HO* | E-1-RC |
| R-16HO* | RMR-16-65/125 | LEDTFX-2 |
| TFX-2 | DXR | CADXR |
| CAR | NYDXR | LEDCADXR |
| LESDXR627 | CWLEZXTE-RC | RMLEDCXTE-RC |
| RMLCPU-RC | CALEDCXTE-RC | |

* SDT versions of the fixtures are not compatible with the RHLED heads..

| Model | No. of Heads | Options | Voltage | Finish | Lamp Type |
|---------|--------------|--|---|-----------|---------------------------|
| LLRHLED | 1 | Single Head | MV | (blank) B | (blank) HL |
| | 2 | Double Head | | | |
| | | (blank) For Standard Non-Self-Diagnostic Fixtures SDT For Use With Fixtures With A Self-Diagnostic Option | For Use With 3.6V, 6V, 9.6V & 12V DC Power Source | W Black | 8 LEDs 1W 12 LEDs 1.5W |