



Job Name: \_\_\_\_\_

Type: \_\_\_\_\_

Part #: \_\_\_\_\_

Notes: \_\_\_\_\_

# LSXEL ALUMINUM LED EDGELIT EXIT SIGN



## ILLUMINATION

- Ultra bright, energy efficient, long life Red or Green LED.
- UV-stabilized ultra-clear acrylic edgelit panel provides consistent, uniform illumination.
- Double face utilizes factory installed silver or white mylar background panel.

## ELECTRICAL

- Dual 120/277 voltage standard. Optional multi-tap 208/220/240 voltage available.
- Charge rate/power "ON" LED indicator light and push-to-test switch for mandated code compliance testing.
- 4.8V long life maintenance-free, rechargeable NiCd battery.
- Internal solid-state transfer switch automatically connects the internal battery to lamp heads for minimum 90-minute emergency illumination.
- Fully automatic solid-state, two rate charger initiates battery charging to recharge a discharged battery in 24 hours.

## MOUNTING

- Aluminum mounting canopy included for top, end or back mount.

## HOUSING

- Premium-grade, extruded aluminum housing (also available in black or white powder-coated finishes).
- Self-adhesive chevron appliques and guide template provided for directional indication.

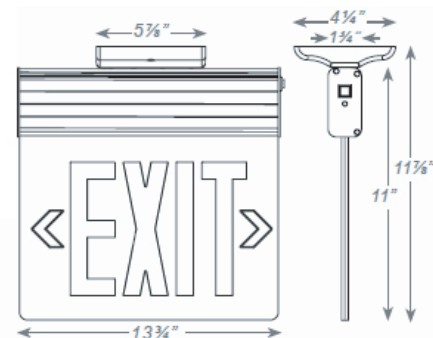
## OPTIONS

- SDT: Self-diagnostic feature performs monthly, biannual, and annual tests to ensure reliable operation and meet electrical and life safety codes.
- 2C: Dual circuit option on the AC-only unit enables it to be connected to two different (one acting as a back-up to the other) supplies at the same time.
- Custom: Signs available with requested 'special' wording.
- USA: Substantial transformation assembly in the U.S. complies with "Assembled in the USA" under the Buy American Act.
- SPV: UL Listed for special voltage option.

## LISTINGS AND WARRANTIES

- Five year warranty on all electronics and housing. Battery prorated for five years.
- Meets UL924, NFPA 101 Life Safety Code, NEC, OSHA, Local and State Codes.
- UL Listed for damp locations (0°C – 50°C).

## DIMENSIONS



## ORDERING INFORMATION

Sample Part Number: **LSXEL**

**NOTES:**

1. With single face only
2. Not available with SDT
3. Available only with EM units
4. Available only with AC units

MODEL	# OF FACES	LETTER COLOR	PANEL	HOUSING COLOR	BATTERY	OPTIONS
LSXEL	1 - Single Face 2 - Double Face	R - Red G - Green	C - Clear M - Mirror W - White	W - White B - Black A - Aluminum	Blank - AC Only EM - Battery Backup	SDT - Self-Diagnostics <sup>3</sup> CUSTOM - Custom Wording 2C - Dual circuit Operation <sup>4</sup> USA - Assembled in USA SPV - 208/220/240 Volt, 50/60Hz