

# NYEXC: New York Approved LED Exit/Incandescent Emergency Combo



## Features

- Energy efficient LED technology in EXIT sign
- Heavy duty steel construction
- NY approved housing with steel knockout chevron directional indicators
- UL listed for damp locations & meets UL924, NFPA 101 Life Safety Code, NEC, OSHA, Local and State Codes

## Electrical

- Dual 120V/277V voltage
- Charge rate/power "ON" LED indicator light and push-to-test switch for mandated code compliance testing
- LVD (low voltage disconnect) prevents battery from deep discharge
- 6V, 10Ah, sealed lead acid, maintenance-free, rechargeable battery
- Internal solid-state transfer switch automatically connects the internal battery to LED Board/lamp heads for minimum 90-minute emergency illumination
- Fully automatic solid-state, two-rate charger initiates battery charging to recharge a discharged battery in 24 hours.

## Mounting

- Wall mount hardware included

## Housing

- Durable, white powder coated, 20-gauge steel construction
- Universal K/O chevrons

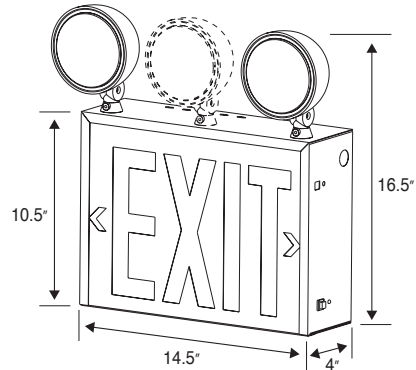
## Illumination

- Standard with two 12 Watt tungsten fully adjustable, glare-free incandescent lighting heads
- High-performance smooth thermoplastic reflector and tempered glass lens for optimal light distribution.
- Ultra bright, energy efficient, long-lasting Red LED (exit sign illumination)
- NY approved 8" EXIT letters
- Optional 3rd emergency lighting head included

## Warranty

- Five Year Warranty on all electronics and housing. Batteries are pro-rated warranted for 5 years.

## Dimensions



## ORDERING INFORMATION

Model	Face #	Letter Color	Housing Color	Battery	Options
NYEXC	1 - Single Face	R - Red	W - White B - Black	Blank - EM (Battery Backup)	KR9 - 9 W Krypton Lamps

Model	Face #	Letter Color	Housing Color	Battery	Options
-	-	-	-	-	-